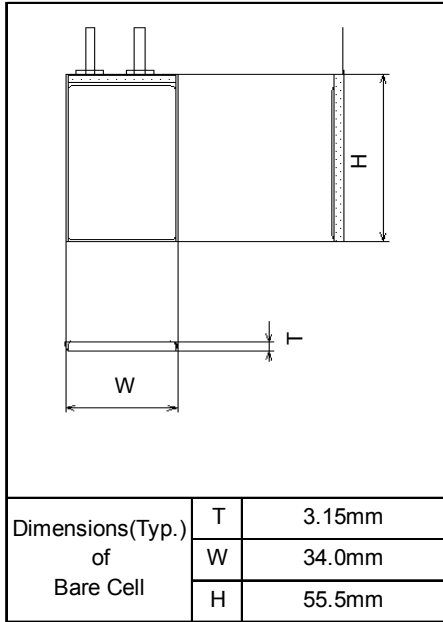




Lithium Polymer

Cell Type UPF323456L

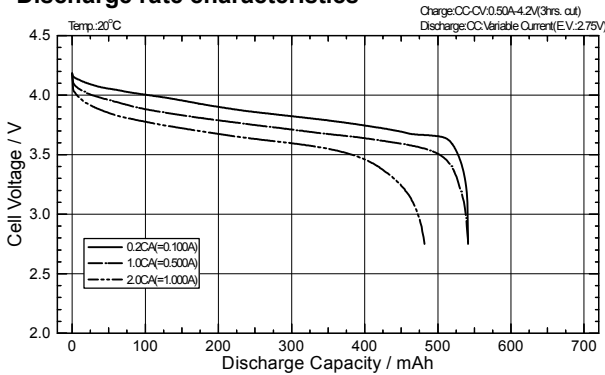
Specifications



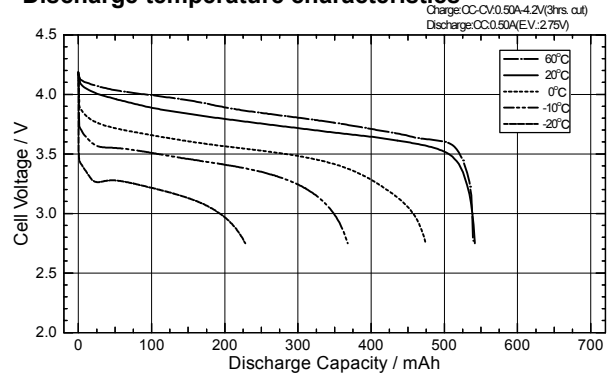
Nominal Capacity		500mAh
Nominal Voltage		3.7V
Charging Method		Constant Current -Constant Voltage
Charging Voltage		4.2V
Charging Current		Std. 500mA
Charging Time		3.0hrs.
Ambient Temperature	Charge	0~+40°C
	Discharge	-20~+60°C
	Storage	-20~+50°C
Weight (Approx.)		13.3g
Dimensions (Max.)	(T)	3.35mm
	(W)	34.00mm
	(H)	56.00mm
Volumetric Energy Density		290Wh/l
Gravimetric Energy Density		139Wh/kg

Typical Characteristics

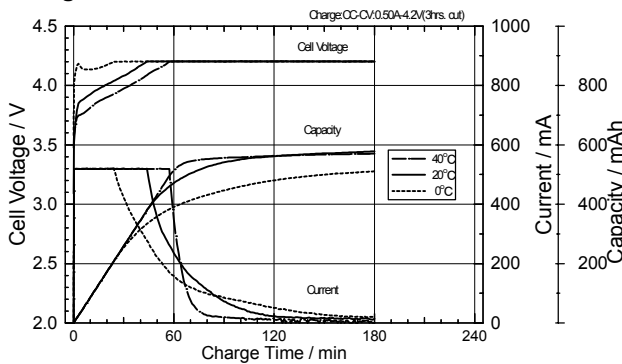
Discharge rate characteristics



Discharge temperature characteristics



Charge characteristics



Cycle characteristics

